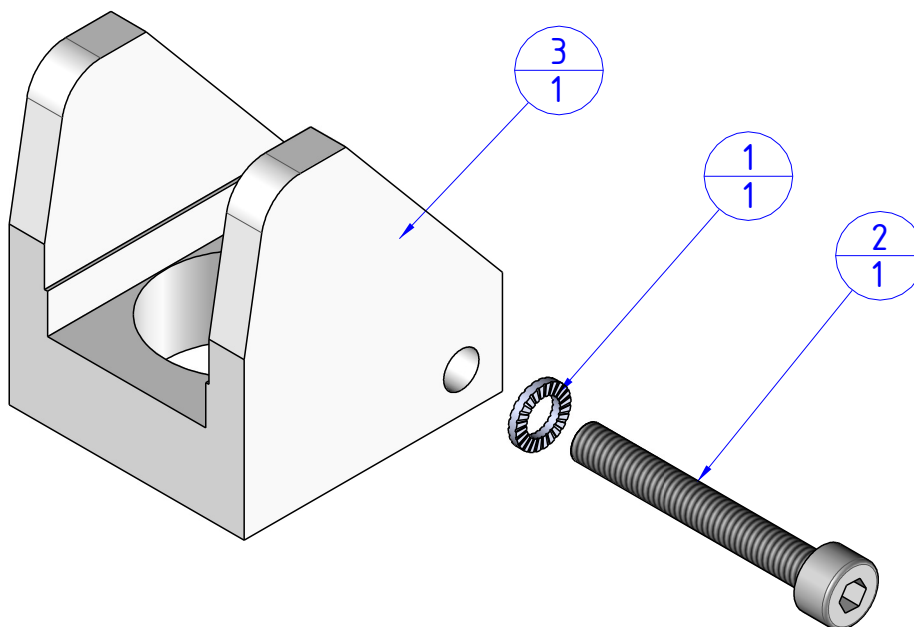
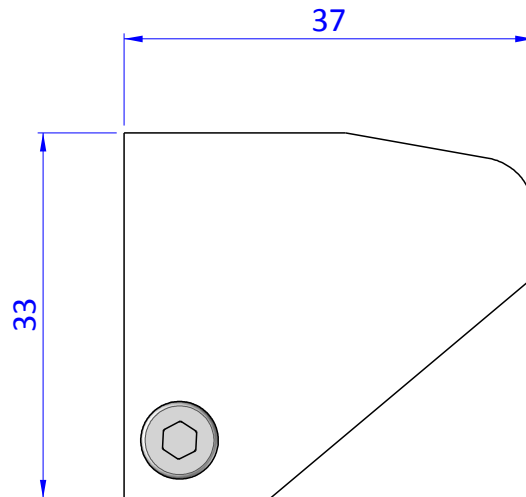
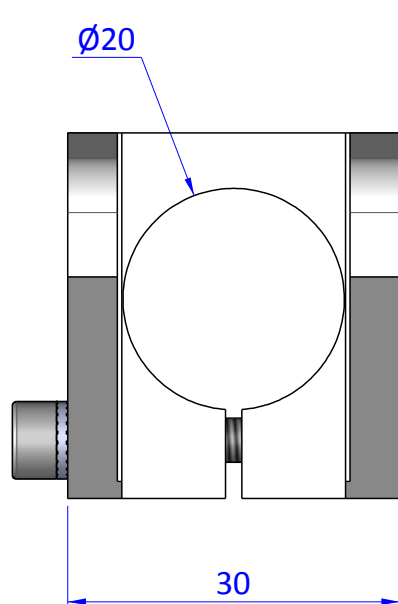

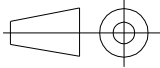


THE PROPERTY OF THE DRAWING IS ESTABLISHED BY LAW. IT IS FORBIDDEN TO PRODUCE OR SHOW IT TO THIRD PART. WITHOUT A WRITTEN AGREEMENT.

| Item | Name | Q.ty |
|------|-----------|------|
| 1 | R.4.SCH | 1 |
| 2 | V.TCE4x30 | 1 |
| 3 | ZTS.20 | 1 |



| | | | | | |
|---------------------------------------|--|--------------------------|--|--|--------------------|
| Format A4 UNI 936-76 |  FPS FPSERVICES AUTOMATION | |  | DESIGNED FROM FPS Automation | REVIEW A |
| | GENERAL TOLERANCE UNI - ISO 2768 CLASSE f | DESCRIPTION CA.ZTS.20 | | DATE 02/05/2019 | WEIGHT 0,017kg |
| | | | | CODE CA.ZTS.20 | |